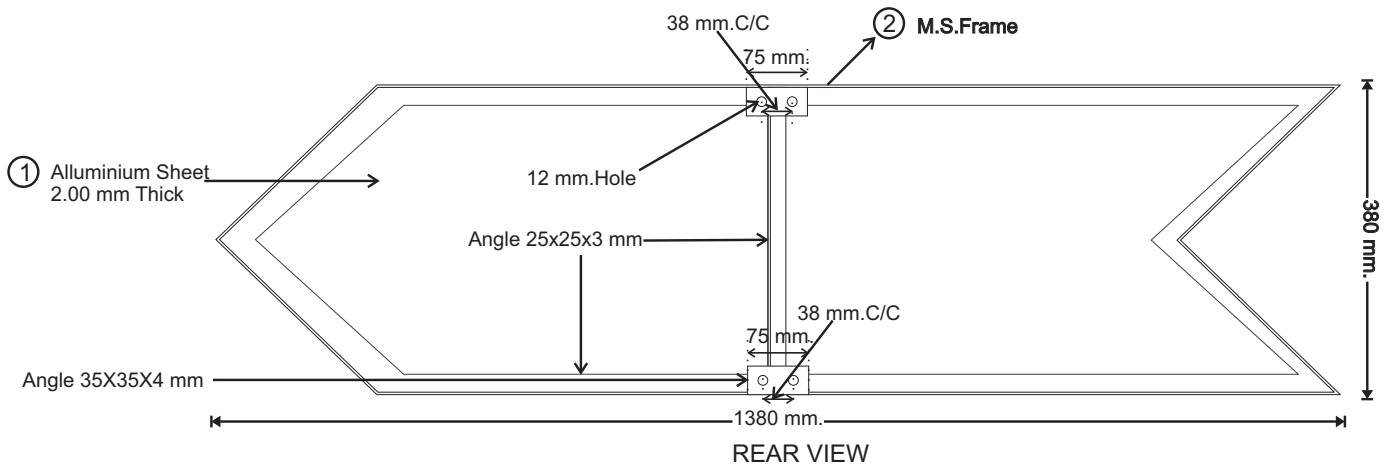
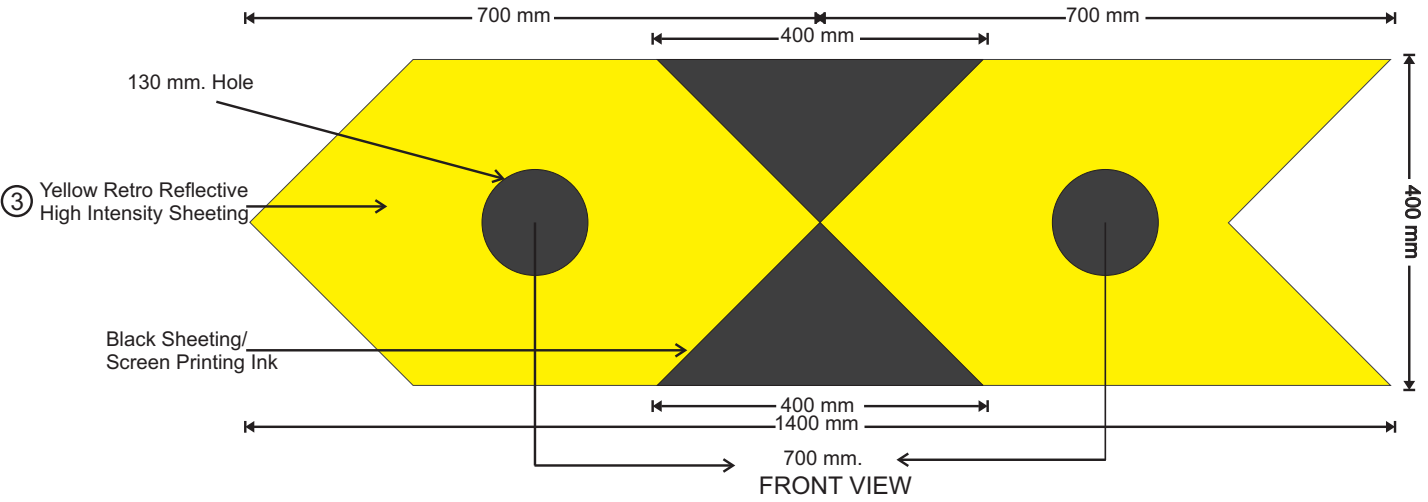


Caution Indicator



NOTE: 1. Back side of the board should be painted in gray colour.

2. Aluminium Sheet ① should be popp rivetted with MS angle ② iron frame.

3. Retro Reflective Sheeting should be weather resistant and show colour fastness.

4. There should be no cracking, scaling, pitting, blistering, edge lifting.

5. Minimum co-efficient of Retro Reflection in candles per Lux per sqm. should be as per table

6. Boards should be confirm to RDSO Specn. Number CT/MS/SD/WW



3.	Retro Reflective Sheeting	1	High Intensity Encapsulated	ASTM D4956-93b
2.	Frame	1	M.S. Angle	IS.226
1.	Alluminium Alloy Sheet	1	Alluminium Alloy	IS.736
Ref. No.	Description	No/ Unit	Material	Specn.
Lakshmi Industrial Corporation Meerut		Drg.no. LIC/Caution/High Intensity /01		

Observation angle in Deg.	Entrance angle in Deg.	Yellow
0.2	-4	170
0.2	+30	100
0.5	-4	62
0.5	+30	45