

LAKSHMI BRAND ELECTRONIC TOE LOAD MEASURING DEVICE

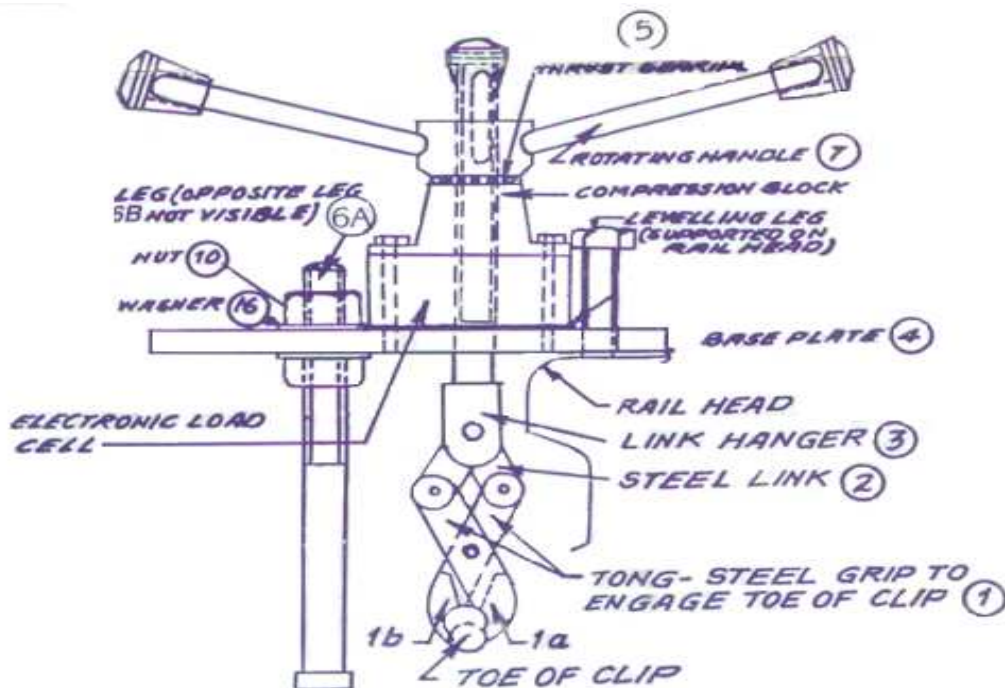
Specification no: TM/SM/ELTMD/218 Rev. 01 of 2003

INTRODUCTION: - Electronic Toe Load Measuring Device is an efficient tool in the hands of Permanent Way Engineers to determine the actual toe load of any Elastic Rail Clip. This Unit gives direct reading of the toe load in terms of Kilograms on its alphanumeric LCD Display. The whole unit is Safe to Handle, compact, rugged, and its light weight is an additional advantage over its Mechanical Counterpart. The device is provided with a Spring Loaded Gap Sensing Device which automatically freezes the required peak value of the toe. A set of Link Hanger, Balancing Legs, and Thrust Bearing & Tongs is provided for pulling the Clip in a uniform and balanced manner. Only 4-5 minutes time is required for installation of device on track, Measurement of reading and removal of device from the line.

TECHNICAL DATA:

1. Capacity of Load Cell -: 2000K.g
2. Type of Load Cell -: Compression Type / Stainless Steel
3. Accuracy -: ± 20 K.g
4. Operating Voltage -: 5.5V to 5.65V
5. Resolution -: 1.0K.g
6. Display -: 16 character alpha numeric LCD display
7. Sensitivity -: Fast return to zero
8. Calibration -: Micro controller based auto calibration

ISOMETRIC DRAWING OF COMPLETE UNIT IN ASSEMBLED POSITION



Parts Supplied with each machine:-

- a. Main Electronic Unit duly fitted with spirit levels & leveling Bolt.
- b. Tong with Steel Link and rotation handle.
- c. Thrust Bearing 20mm Bore.
- d. Complete Tool Kit including spanners.
- e. Spring loaded Peak Hold Switch.
- f. Two nos. Balancing Legs.
- g. External Power Pack
- h. Battery Charger 220V, 50Hz

TRAINING:-

Training regarding Working Operation, Maintenance and upkeep of machine will be imparted at our works at Meerut to your representative free of cost.

(Right reserve for modification or alteration without notice for betterment of the product)



(An ISO certified & RDSO approved Company)

LAKSHMI INDUSTRIAL CORPORATION

48-52, BEHIND OLD TEHSIL, MEERUT CITY- 250002 (U.P)
Admin Office: - Plot no.-10-11, Khasra no.-467, Mohkampur Industrial Area,
Phase-II, Delhi Road, Meerut City-250103(U.P.)
PH.NO: 0121-2401482 / 2950515

E-mail: railwaymachines@gmail.com
www.lakshmirailwaymachines.com