

LAKSHMI BRAND BUFFER PROJECTION GAUGE LBPB-1

INTRODUCTION: Buffer Projection Gauge is used for measuring the buffer projection with an accuracy of +1mm. Its measuring range is 550 to 650 mm. It can be used on empty as well as on loaded wagons.

CONSTRUCTION & DESIGN: It is fabricated from 25 mm. Steel tubing duly painted. One end of gauge has measuring pointer with projection measuring scale with locking arrangement.

TECHNICAL DATA

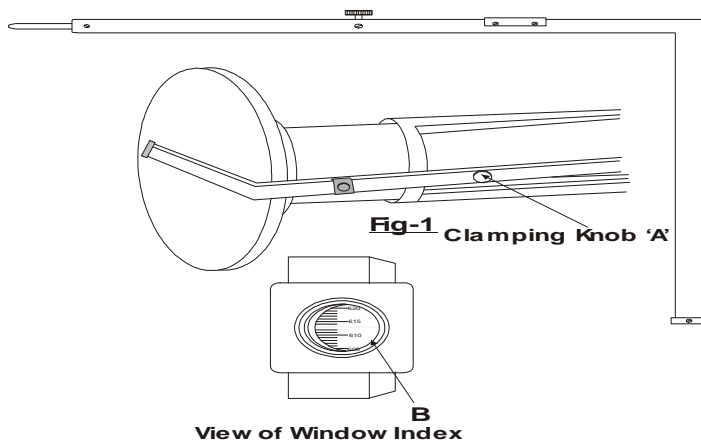
1. Buffer Projection Measuring range 550 to 650mm.
2. Accuracy ± 1 mm.

SALIENT FEATRURES

1. Increased output of the user.
2. Speedy and convenient operations.
3. Easy to read projection measuring scale.
4. Have hardened measuring pointer.
5. Determines buffer projection with in +1 mm. Accuracy.
6. Screw clamp provided to set at desired distance.
7. Useful for civil as well as mechanical engineers.

TRANSPORTAION WOODEN BOX

Each buffer projection gauge is supplied in a light wooden painted box.



Buffer Projection gauge

(Right reserve for modification or alteration without notice for betterment of the product)

LAKSHMI INDUSTRIAL CORPORATION

48-52, BEHIND OLD TEHSIL, MEERUT CITY- 250002 (U.P)
Admin Office: - Plot no.-10-11, Khasra no.-467, Mohkampur Industrial Area,
Phase-II, Delhi Road, Meerut City-250002(U.P.)

Ph.no: 0121-2401482 / 2950515

E-mail: railwaymachines@gmail.com